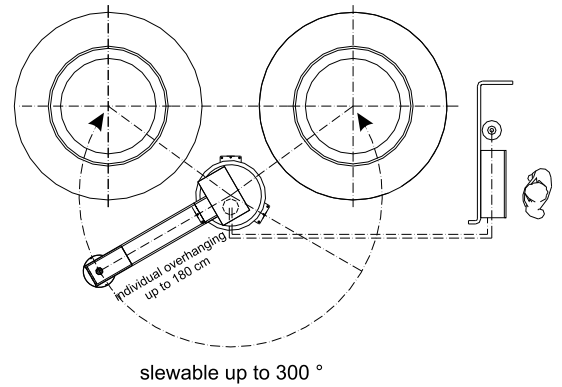


MELT-CLEAN-SYSTEM

Equipment for effective degassing/cleaning of Aluminium melt



SPS-Terminal

Type: MC423MS

Sleuable treatment-station for Aluminium melt in
transport- and casting-ladles (300 - 3.000 kg)
- custom made -

Controlled by Siemens S7
motor driven slewing feature
gasflow at 2 steps
automatical control of gasflow
automatic reaction to insufficient gas-flow

individual duration of treatment selectable (3 programmes)
operation control by luminous signals and display
fully automatic control system / capable of multiple positions
integrable into higher level control systems (TE382TP)
easy exchange of Shaft/Rotor

IDECO

GESELLSCHAFT FÜR INDUSTRIELLE
TECHNOLOGIE · ENTWICKLUNG · BERATUNG MBH

Im Fisserhook 3 - 5
46395 Bocholt, Germany

+49 (0)2871 - 6026

Fax +49 (0)2871 - 6032

info@ideco-gmbh.de

www.ideco-gmbh.de

Representante Exclusivo

México: (-52) 55-5300-4517 Qro: (-52) 442-340-0250, 442-340-0251,
Puebla: (-52) 222-219-9999, 222-418-1443, 222-228-1633

www.cmsmetrology.com.mx

www.controlymedicion.com.mx



CONTROL Y MEDICIÓN
LABORATORIO DE CALIBRACIÓN
COMERCIALIZADORA

